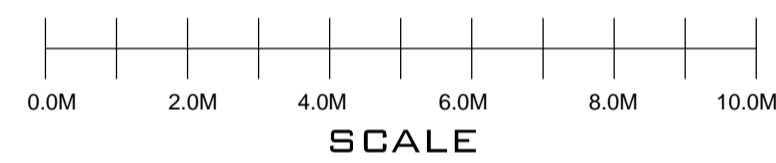


LAYOUT AT PILE LEVEL

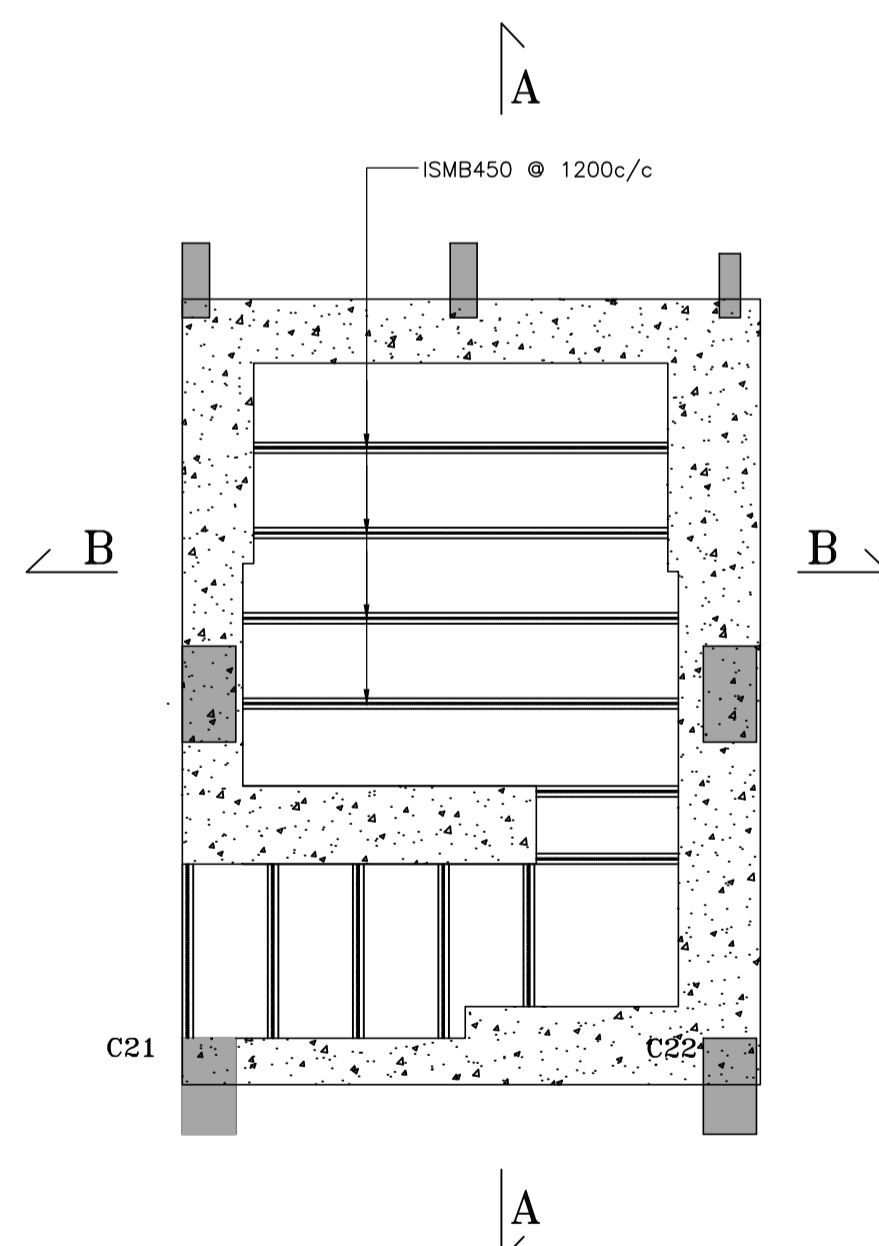


SCHEDULE OF BEAMS BASEMENT SLAB LEVEL

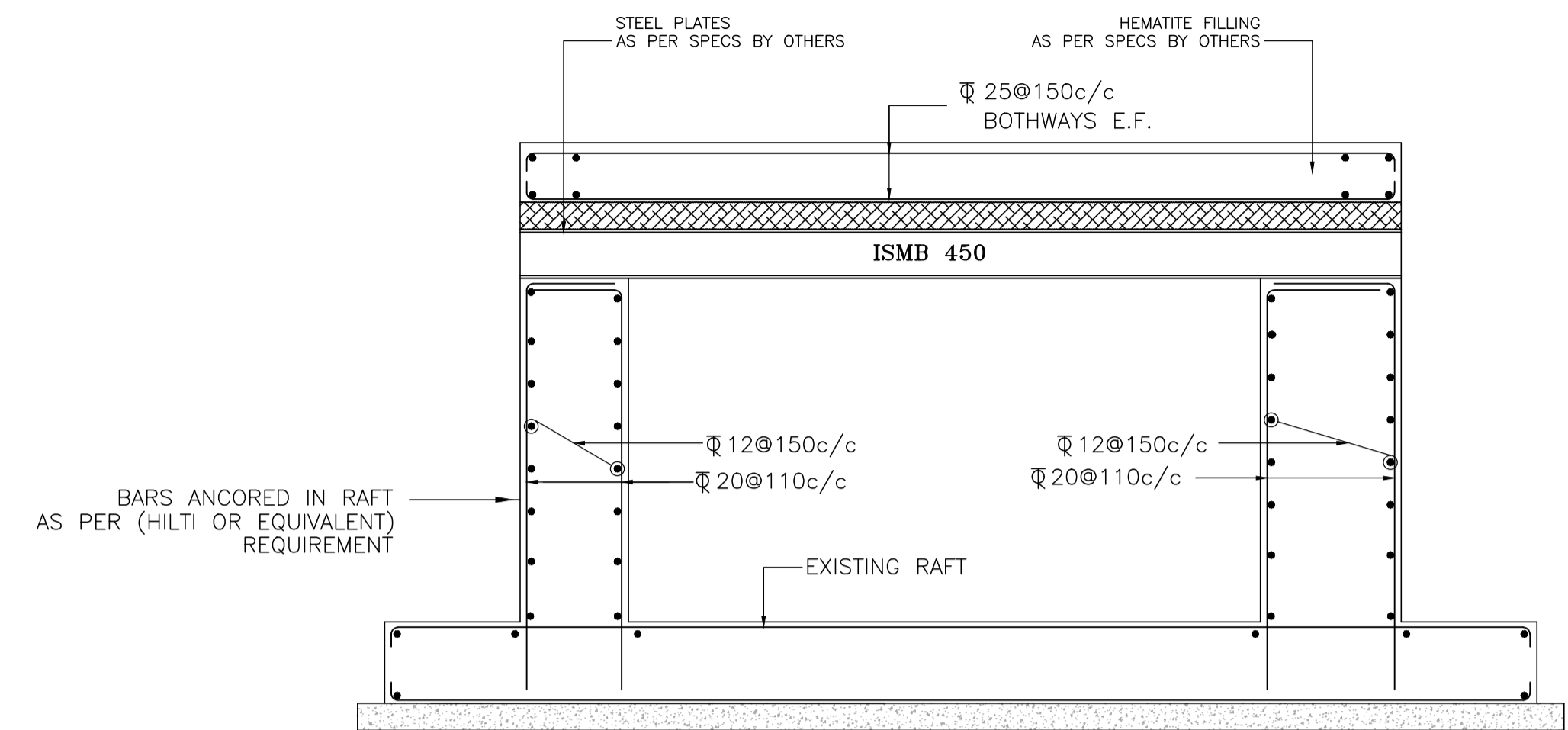
BEAM MARK	BEAM SIZE	REINFORCEMENT					STIRRUPS	REMARKS
		TOP STEEL		BOTTOM STEEL				
		LEFT SUPPORT	ANCHOR	RIGHT SUPPORT	STRAIGHT	CURTAIL		
RBB1,RBB2	900 x 600		6 $\Phi$ 12		6 $\Phi$ 16	--	6-LEGGED $\Phi$ 8@200c/c	BEAM BOTTOM @ BASEMENT SLAB TOP LEVEL
RBB3	1100 x 600		6 $\Phi$ 16		6 $\Phi$ 25	--	6-LEGGED $\Phi$ 8@200c/c	BEAM BOTTOM @ BASEMENT SLAB TOP LEVEL
RBB4	900 x 600		6 $\Phi$ 12		6 $\Phi$ 16	--	6-LEGGED $\Phi$ 8@200c/c	BEAM BOTTOM @ BASEMENT SLAB TOP LEVEL
RBB11	850 x 600		6 $\Phi$ 16		4 $\Phi$ 20	+	6-LEGGED $\Phi$ 8@200c/c	BEAM BOTTOM @ BASEMENT SLAB TOP LEVEL
RBB12	1000 x 600		6 $\Phi$ 12		6 $\Phi$ 16	--	6-LEGGED $\Phi$ 8@200c/c	BEAM BOTTOM @ BASEMENT SLAB TOP LEVEL
RBB13	1150 x 600		6 $\Phi$ 16		4 $\Phi$ 20	+	6-LEGGED $\Phi$ 8@200c/c	BEAM BOTTOM @ BASEMENT SLAB TOP LEVEL
RBB14	1300 x 600		6 $\Phi$ 12		6 $\Phi$ 16	--	6-LEGGED $\Phi$ 8@200c/c	BEAM BOTTOM @ BASEMENT SLAB TOP LEVEL

SCHEDULE OF BEAMS BASEMENT SLAB LEVEL

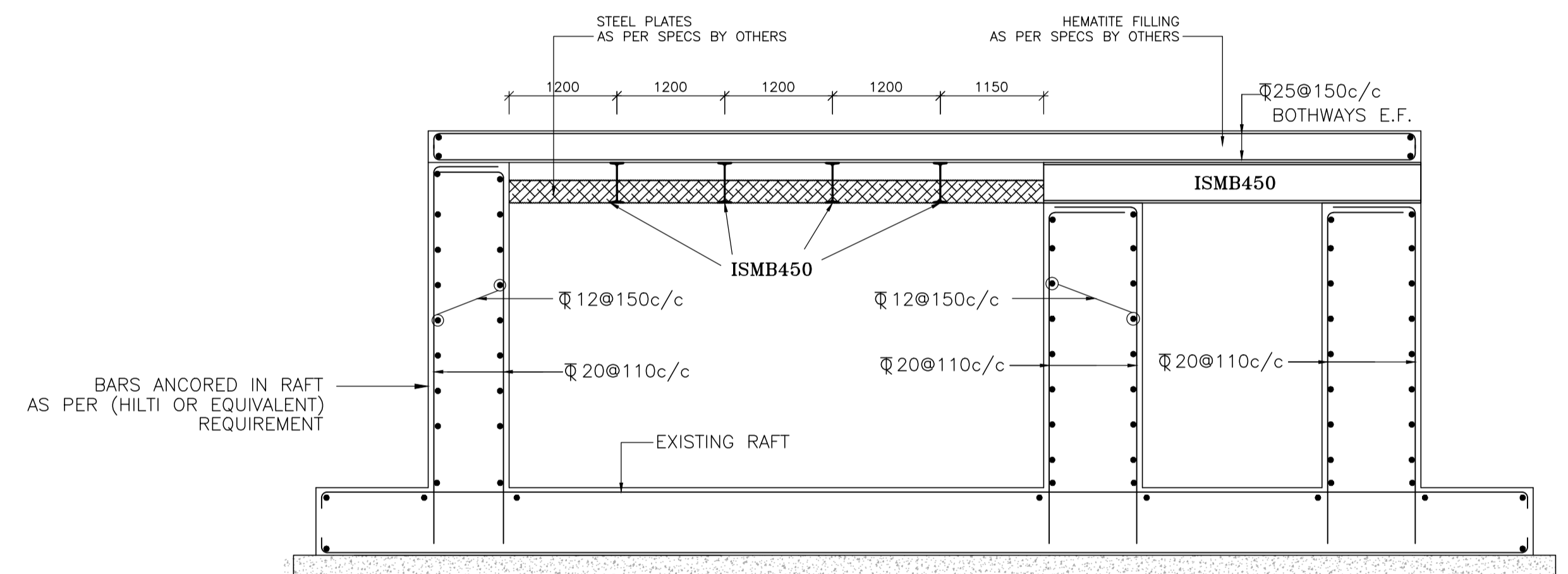
BEAM MARK	BEAM SIZE	REINFORCEMENT					STIRRUPS	REMARKS
		TOP STEEL		BOTTOM STEEL				
		LEFT SUPPORT	ANCHOR	RIGHT SUPPORT	STRAIGHT	CURTAIL		
CBB1,CBB2,CBB3,CBB4,CBB5,CBB6,CBB9,CBB13,CBB26,CBB27,CBB30	250 x 600	--	2 $\Phi$ 10	--	2 $\Phi$ 12	--	$\Phi$ 8@225c/c	BEAM BOTTOM @ BASEMENT SLAB TOP LEVEL
CBB3,CBB22	250 x 600	--	2 $\Phi$ 10	--	2 $\Phi$ 16	--	$\Phi$ 8@225c/c	BEAM BOTTOM @ BASEMENT SLAB TOP LEVEL
CBB7,CBB10,CBB11,CBB12,CBB28	250 x 600	--	2 $\Phi$ 12	--	4 $\Phi$ 16	--	$\Phi$ 8@225c/c	BEAM BOTTOM @ BASEMENT SLAB TOP LEVEL
CBB8,CBB25	250 x 600	--	2 $\Phi$ 20	--	4 $\Phi$ 20	--	$\Phi$ 8@225c/c	BEAM BOTTOM @ BASEMENT SLAB TOP LEVEL
CBB14,CBB21,CBB24,CBB29,CBB31	250 x 600	--	2 $\Phi$ 10	--	4 $\Phi$ 12	--	$\Phi$ 8@225c/c	BEAM BOTTOM @ BASEMENT SLAB TOP LEVEL



LAYOUT AT TOP LEVEL RADIOTHERAPY



DETAILS OF RCC PARDI (SECTION B-B)



DETAILS OF RCC PARDI (SECTION A-A)

DETAILS OF RCC PARDI FOR PET CT SCAN:

THICKNESS : 250 MM  
 VERTICAL STEEL :  $\Phi$  12@150c/c, EACH FACE  
 HORIZONTAL STEEL :  $\Phi$  10@200c/c, EACH FACE

PURPOSE OF ISSUE:

DATE	NO	REVISION	DRAWN	CHECKED	APPROVED

<b>ADHARSHILA CONSULTANTS</b> SAMARTH AGARWAL ADDRESS : 126, CFC BLDG-II, AFMC MKT-I, PHASE-II, S.E. MIDC, VASHI, NAVI MUMBAI - 400 705 B.E. (STRUC) (REG) PHONE : (022) 2789 9885; CELL 098203 - 22714	OFFICE OF ORIGIN NAVI MUMBAI
NAME OF THE DEVELOPER MGM NEW BOMBAY HOSPITAL TRUST	DATE JAN 14, 2023
NAME OF ARCHITECTS M/s K. THOMAS & ASSOCIATES, VASHI	DRAWN VKM
PROJECT PROPOSED REDEVELOPMENT OF HOSPITAL BUILDING ON PLOT 35, SECTOR 03, VASHI	CHECKED UPN
TITLE STRUCTURAL DETAILS FOR PROPOSED RADIOTHERAPY & PET CT SCAN AT MGM HOSPITAL VASHI	APPROVED SA
DRG.NO. 0938 / E / DD-05 (R1)	SCALE 1 : 100

THIS DRAWING IS THE PROPERTY OF SAMARTH AGARWAL (STRUCTURAL CONSULTANTS). IT SHOULD NOT BE USED, COPIED OR REPRODUCED WITHOUT THEIR WRITTEN PERMISSION.