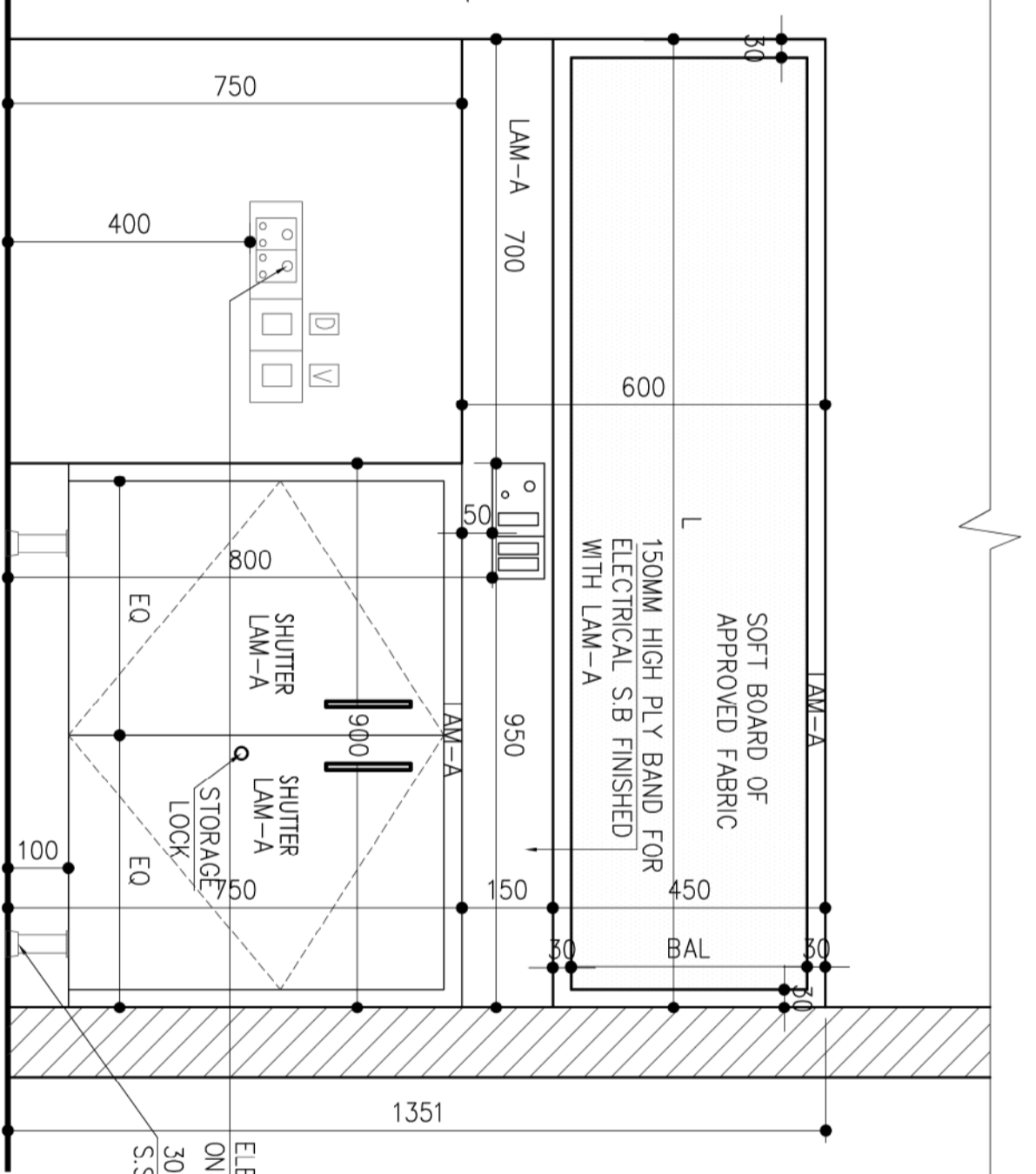
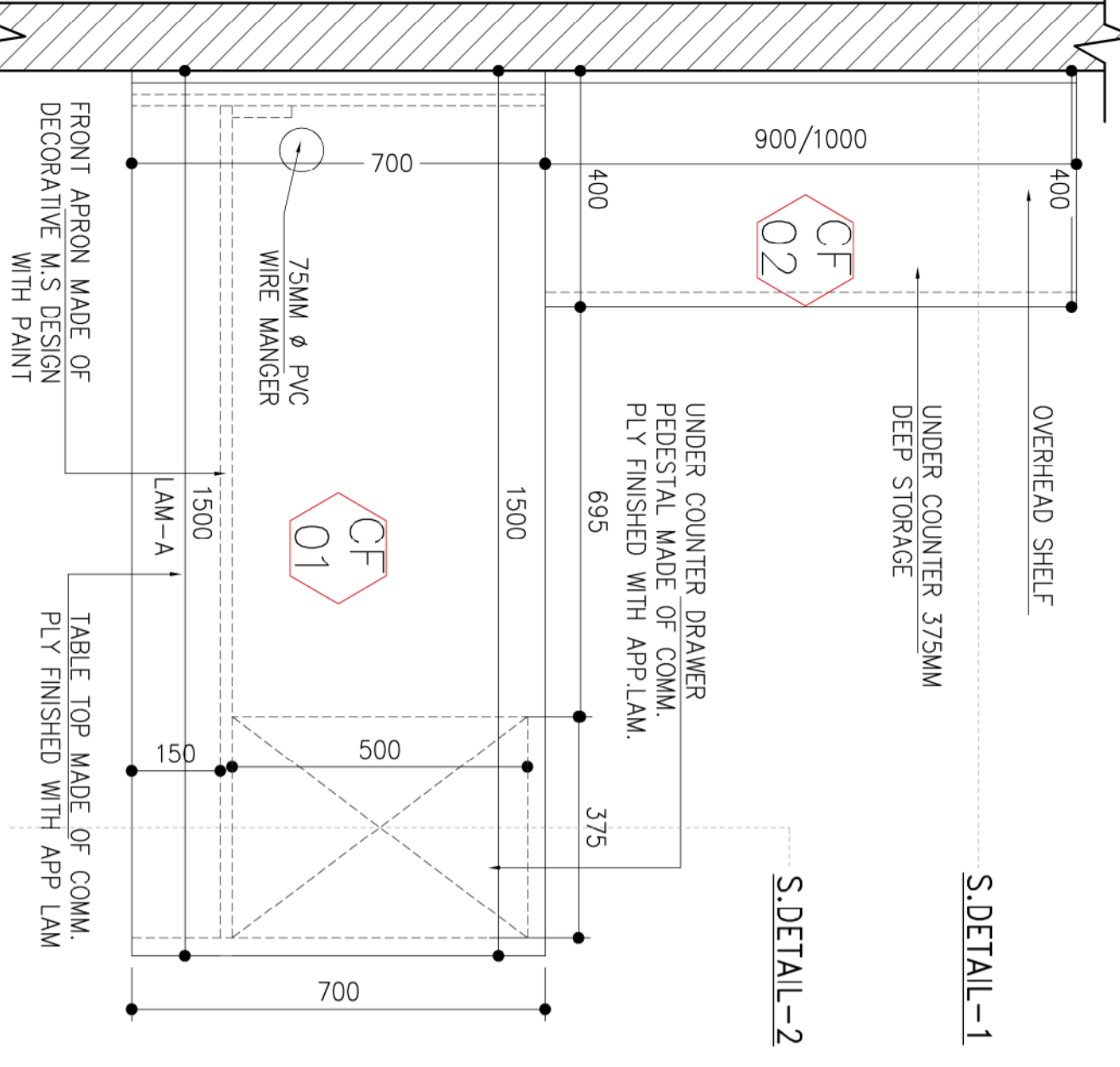


FRONT ELEVATION

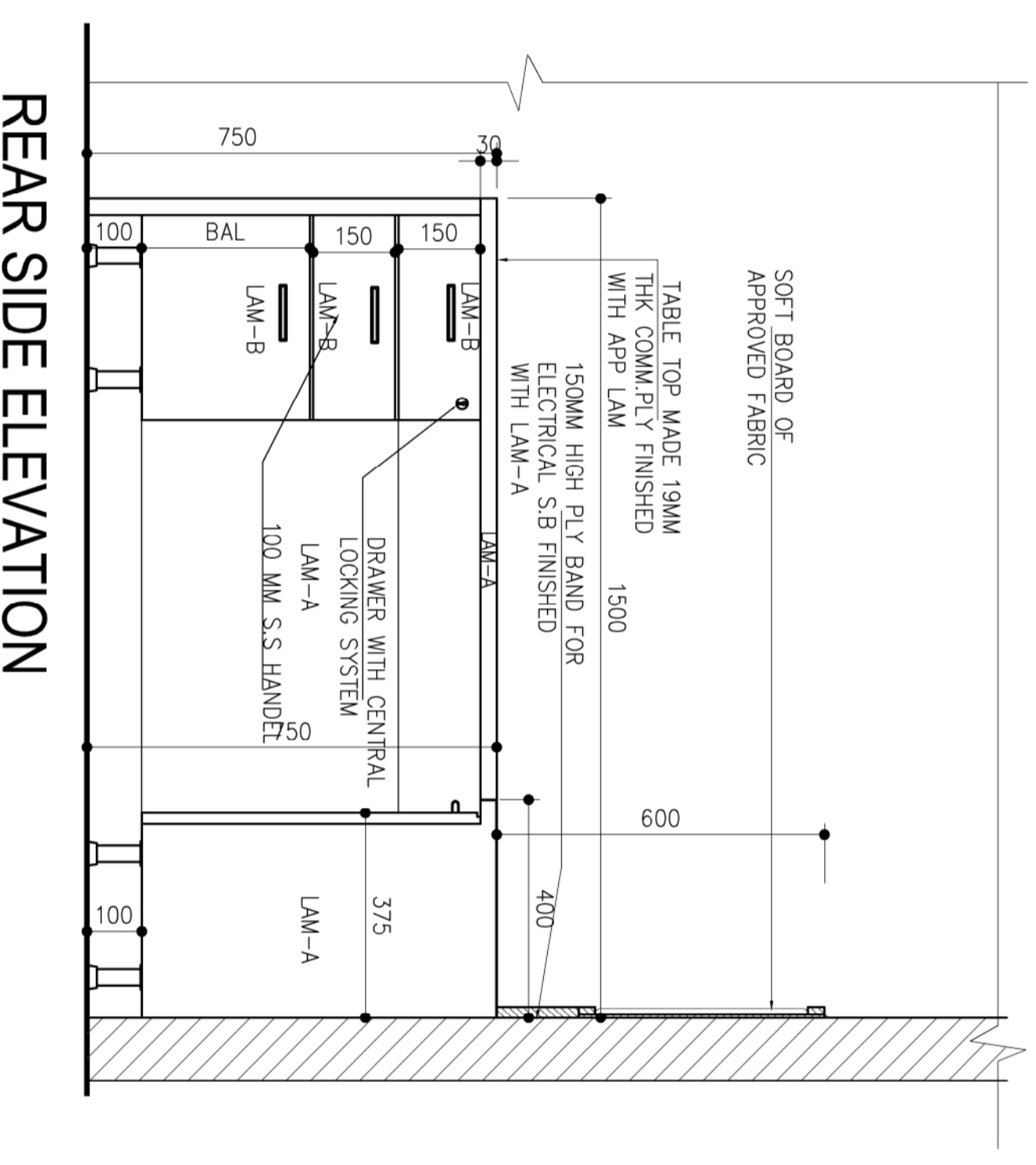


SIDE ELEVATION

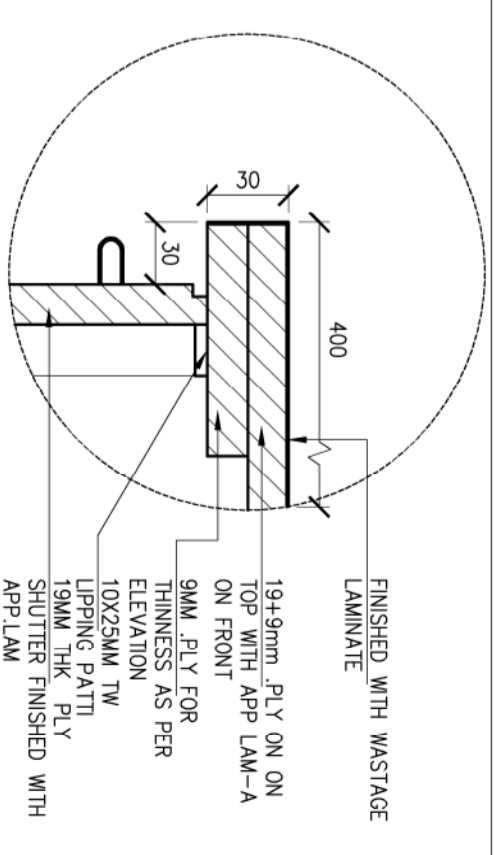


CABIN TABLE PLAN

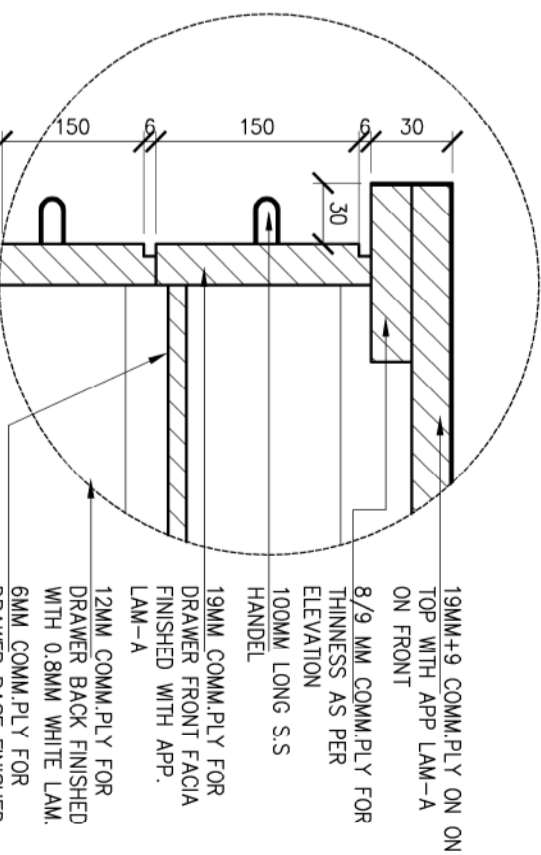
SCALE-1:15



REAR SIDE ELEVATION

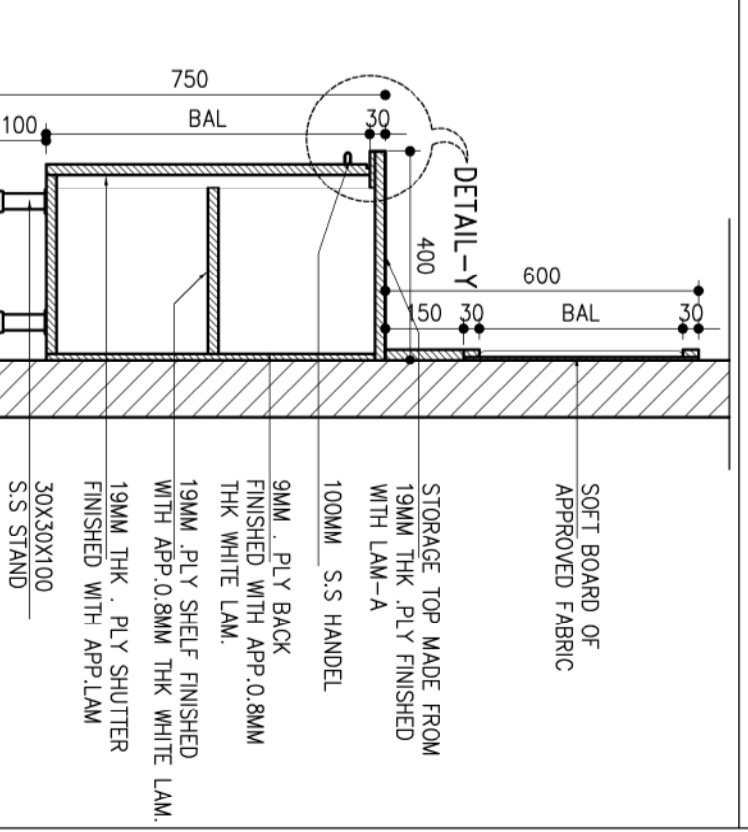


SECTION DETAIL-X

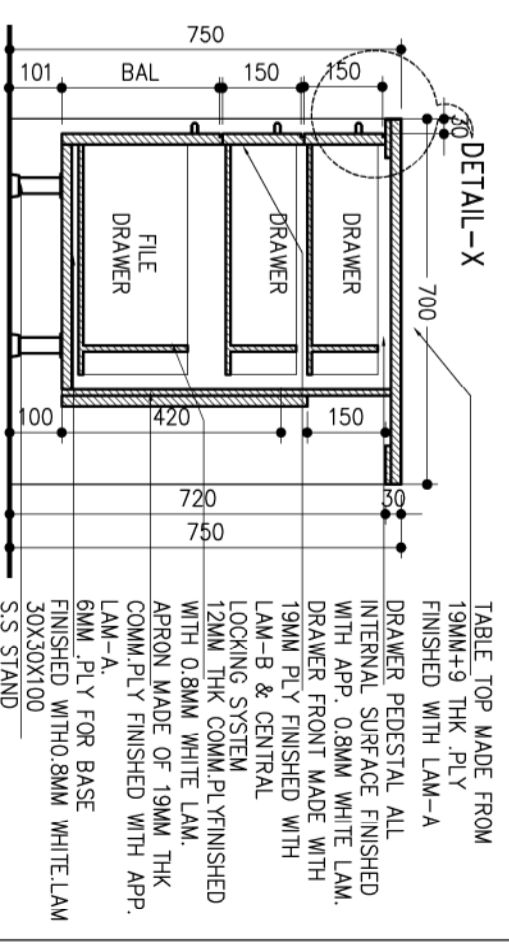


SECTION DETAIL-Y

SCALE-NTS



S.DETAIL-1



S.DETAIL-2

SCALE-1:20

NO.	REVISIONS	DESCRIPTION	DATE	BY	CHKD.
01	ISSUED FOR BIDDING				

CLIENT	MGM HOSPITAL & RESEARCH CENTRE	PROJECT	MANAGER TYPE WORKING TABLE L-SHAPE
DESIGN & PROJECT ADVISORY SERVICES BY	MGM Hospital, Sarnapda	SCALE	1:15
DATE	2024-08-29	PROJECT NO.	HOSMAC/TD/2999
DESIGNER	TP	DESIGNER STATUS	TENDER DRAWING
CHECKER	PW	DATE	

HOSPITAL PARTNER	HOSMAC
PERFECTING HEALTHCARE	