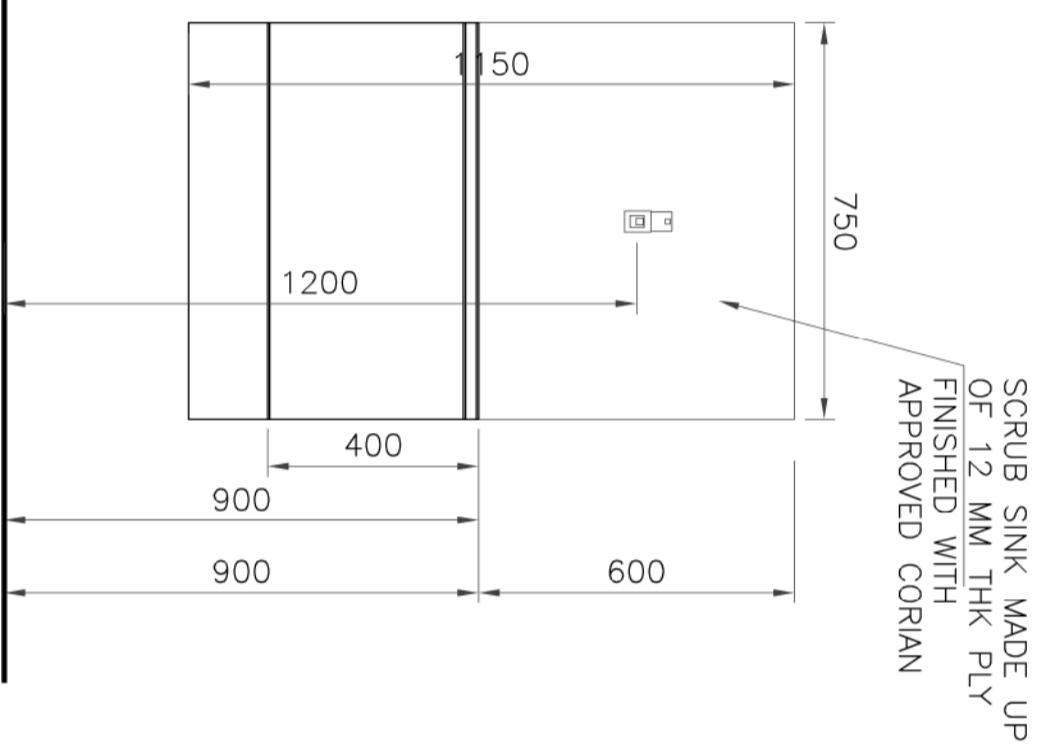
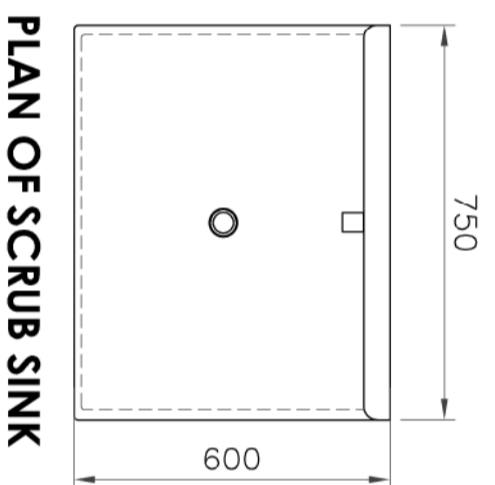
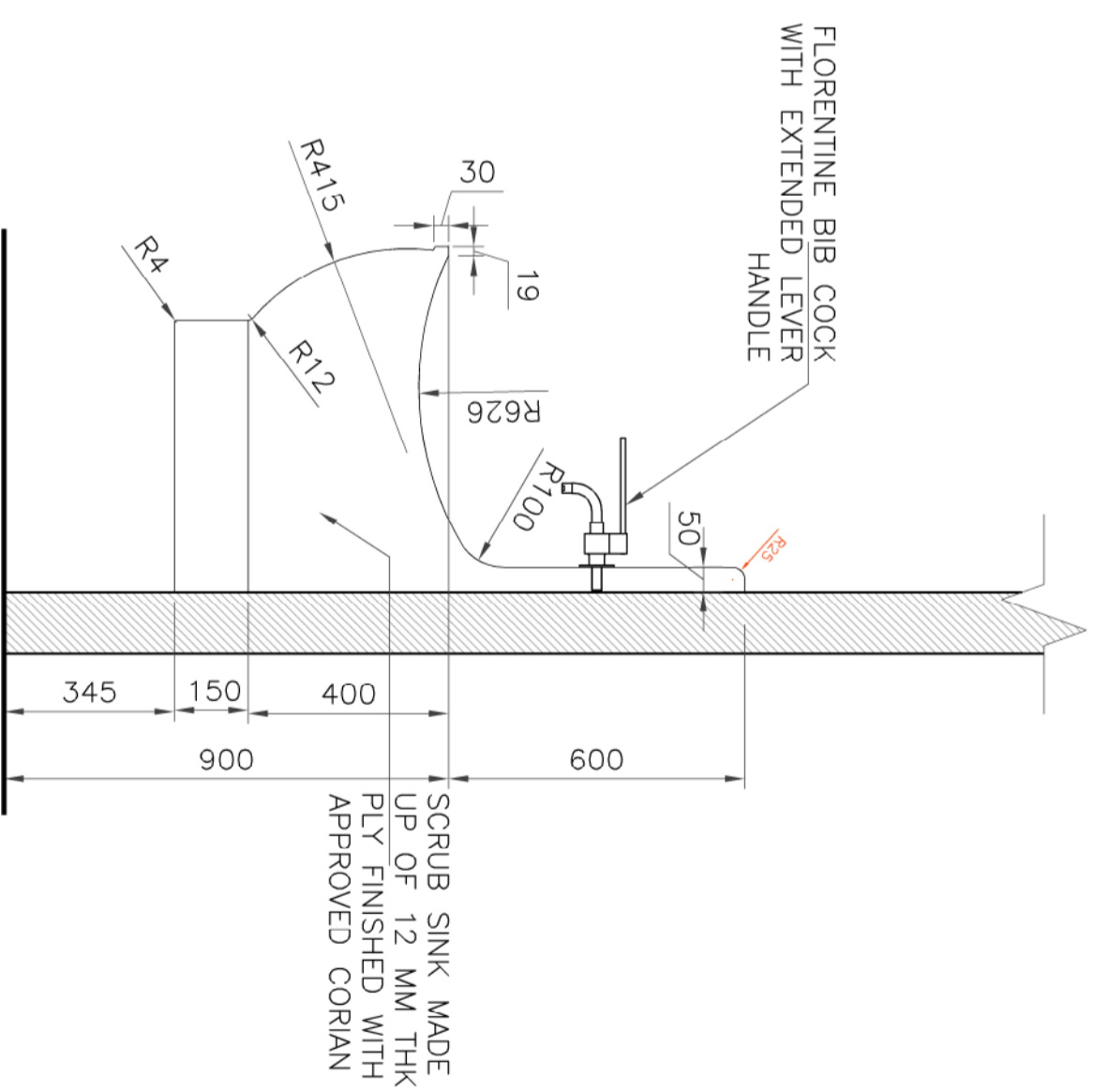


FRONT ELEVATION



SIDE ELEVATION



REV. NO.	DESCRIPTION	REV. BY	DATE
01	ISSUED FOR PERMITS		

CLIENT	MGM HOSPITAL & RESEARCH CENTRE	SHEET TITLE	SCRUB SINK DETAILS
PROJECT	Design & Project Advisory Services at MGM Hospital, Sainpada.	DRAWING NO.	CF-44
NOTE: ALL DIMENSIONS ARE IN METERS UNLESS OTHERWISE SPECIFIED.		SCALE	1:20
GENERAL NOTES:		CHECKED BY	TP
1. ALL DIMENSIONS ARE TO FACE UNLESS OTHERWISE SPECIFIED.		PROJECT NO.	HOSMAC/ TD/399
2. MATERIALS TO BE USED SHALL BE AS SPECIFIED IN THE BILL OF MATERIALS.		DATE	
3. THE CONTRACTOR SHALL BE RESPONSIBLE FOR OBTAINING ALL NECESSARY PERMITS AND APPROVALS FROM THE LOCAL AUTHORITIES.		REV. DATE	
4. THE CONTRACTOR SHALL BE RESPONSIBLE FOR OBTAINING ALL NECESSARY PERMITS AND APPROVALS FROM THE LOCAL AUTHORITIES.			
5. THE CONTRACTOR SHALL BE RESPONSIBLE FOR OBTAINING ALL NECESSARY PERMITS AND APPROVALS FROM THE LOCAL AUTHORITIES.			

HOSPITAL PLANNERS	HOSMAC
PERFECTING HEALTHCARE	
PROJECT NO.	HOSMAC/ TD/399
SCALE	1:20
CHECKED BY	TP
PROJECT NO.	HOSMAC/ TD/399
DATE	
REV. DATE	