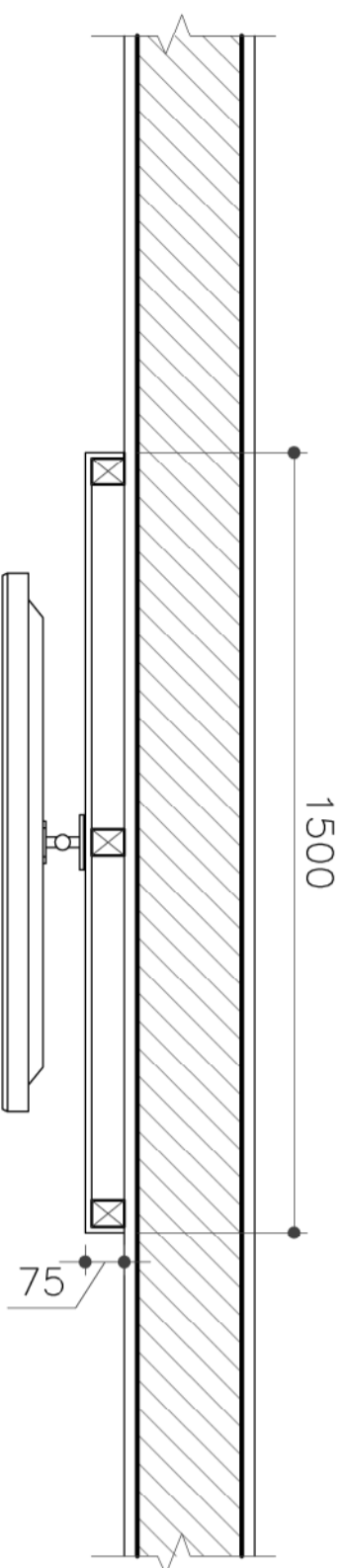
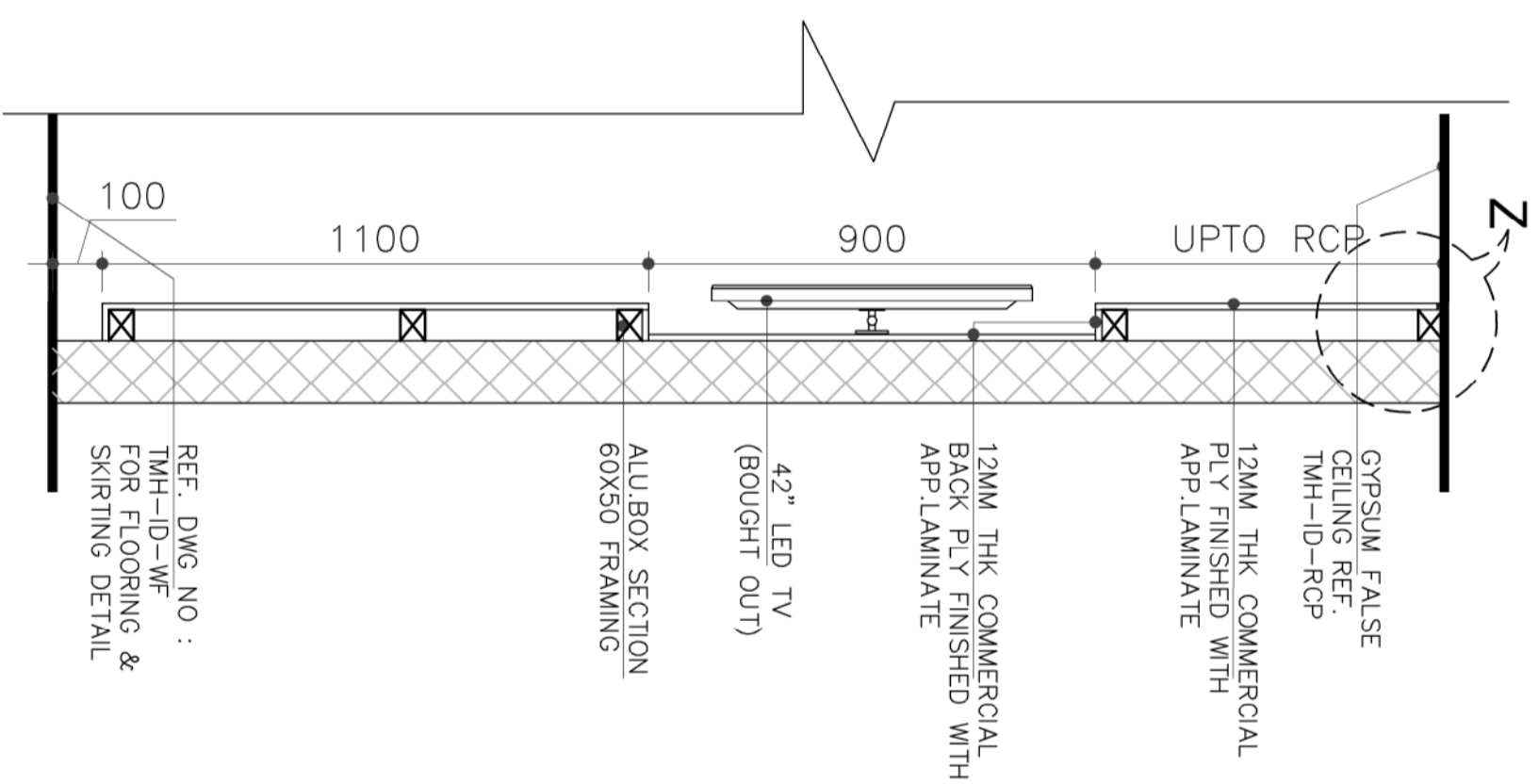


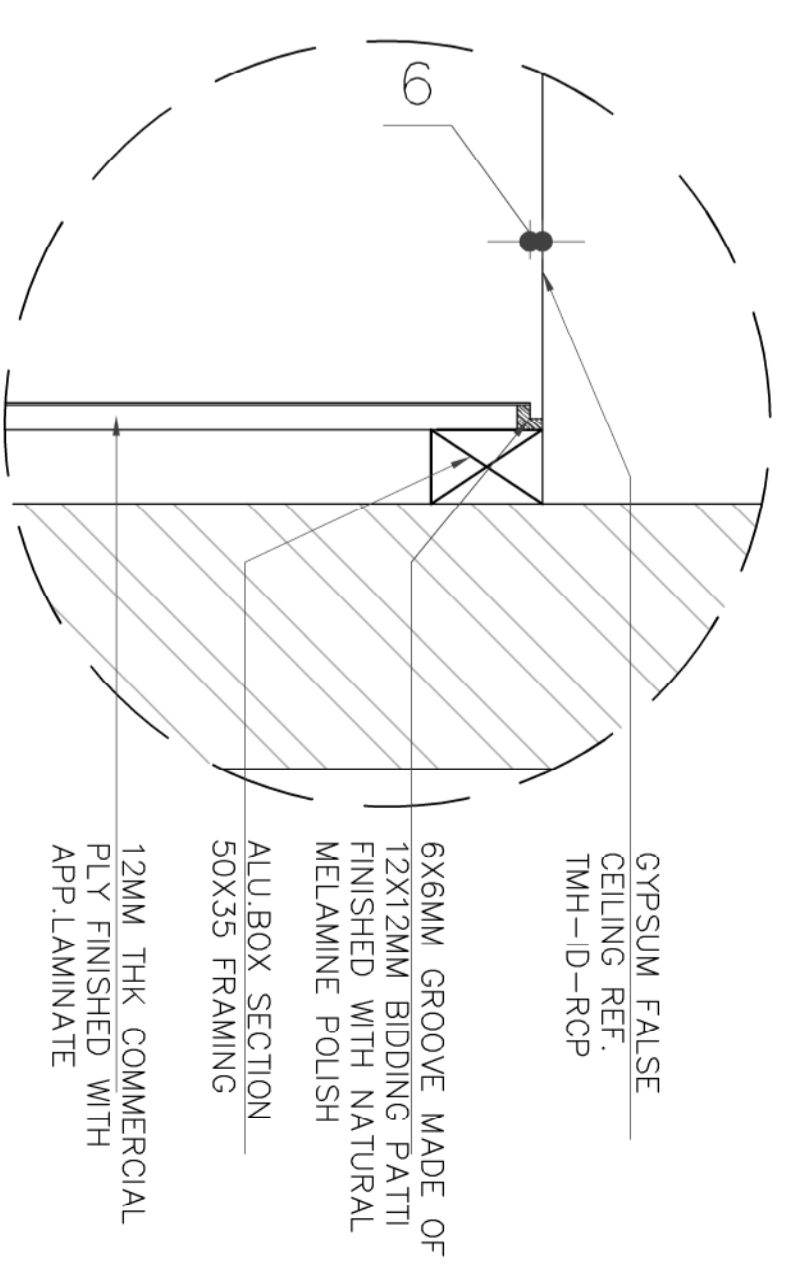
TV UNIT ELEVATION



TV UNIT TOP PLAN



TV UNIT SECTION DETAIL



DETAIL-Z

REVISIONS		REV. NO.	DATE	DESCRIPTION

CLIENT	MGM HOSPITAL & RESEARCH CENTRE
PROJECT	Design & Project Advisory Services at MGM Hospital, Samsatda.
SHEET TITLE	TV PANEL
DRAWING NO.	CF-41
SCALE	AS SHOWN
DATE	10.04.2021
DRAWN BY	PW
CHECKED BY	AG
PROJECT NO.	HOSMAC/ TD/399
DRAWING STATUS	TENDER DRAWING

HOSPITAL PLANNERS	
PERFECTING HEALTHCARE	

GENERAL NOTES

- 1) ALL DIMENSIONS ARE IN MILLIMETERS UNLESS OTHERWISE SPECIFIED.
- 2) ALL MATERIALS AND FINISHES TO BE AS PER THE SPECIFICATION AND APPROVED SAMPLES.
- 3) ALL WORK TO BE COMPLETED WITHIN THE SPECIFIED TIME FRAME.
- 4) ALL WORK TO BE COMPLETED WITHIN THE SPECIFIED TIME FRAME.
- 5) ALL WORK TO BE COMPLETED WITHIN THE SPECIFIED TIME FRAME.
- 6) ALL WORK TO BE COMPLETED WITHIN THE SPECIFIED TIME FRAME.
- 7) ALL WORK TO BE COMPLETED WITHIN THE SPECIFIED TIME FRAME.
- 8) ALL WORK TO BE COMPLETED WITHIN THE SPECIFIED TIME FRAME.
- 9) ALL WORK TO BE COMPLETED WITHIN THE SPECIFIED TIME FRAME.
- 10) ALL WORK TO BE COMPLETED WITHIN THE SPECIFIED TIME FRAME.