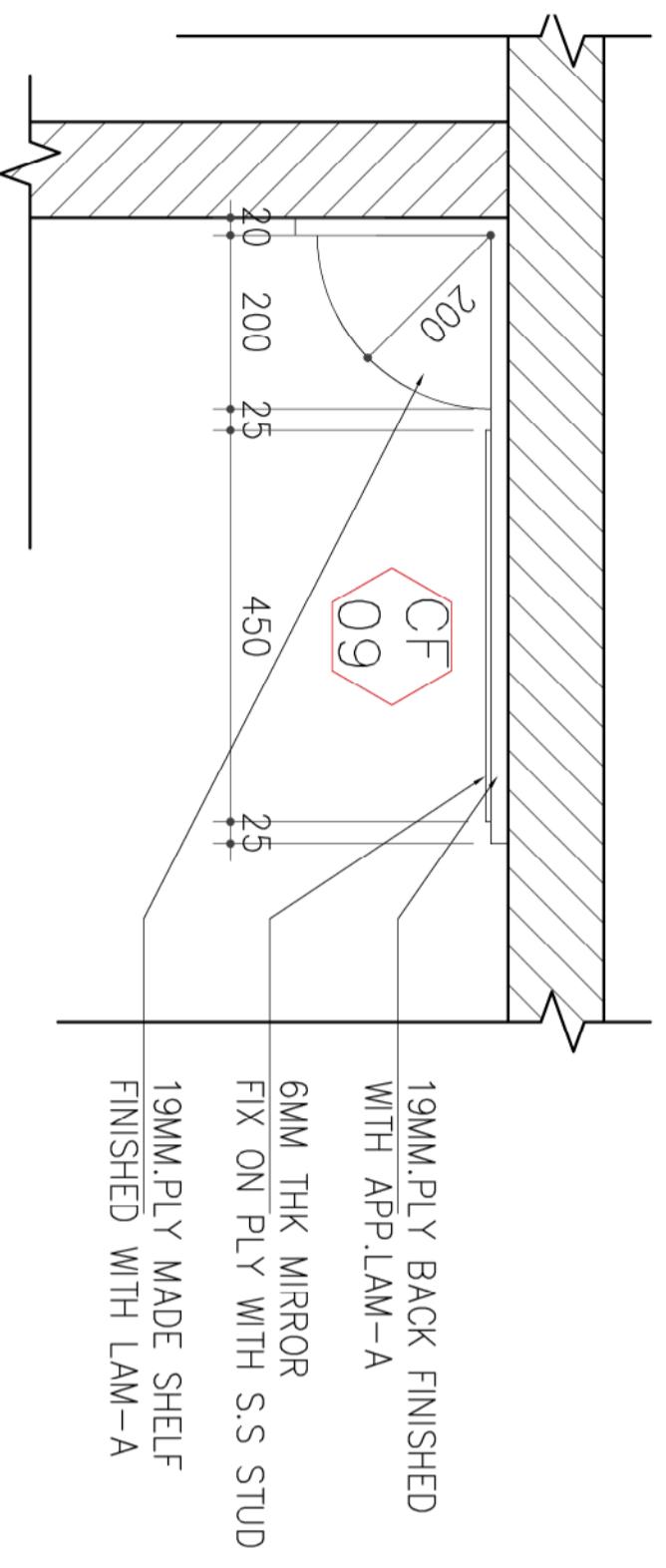


FRONT ELEVATION



CHANGE ROOM SHELF & MIRROR DETAIL

SCALE - NTS

19MM.PLY MADE SHELF FINISHED WITH LAM-A
 6MM THK MIRROR FIX ON PLY WITH S.S STUD
 19MM.PLY BACK FINISHED WITH APP.LAM-A
 19MM.PLY MADE SHELF FINISHED WITH LAM-A

19MM.PLY BACK FINISHED WITH APP.LAM-A
 6MM THK MIRROR FIX ON PLY WITH S.S STUD
 19MM.PLY MADE SHELF FINISHED WITH LAM-A

WALL FINISHED WITH APP. LUSTER PAINT

19MM.PLY MADE SHELF FINISHED WITH LAM-A

REVISIONS		NO.	DATE	DESCRIPTION
1	ISSUED FOR PERMITS			

CLIENT	MGM HOSPITAL & RESEARCH CENTRE
PROJECT	Design & Project Advisory Services at MGM Hospital, Sanyada.
DESIGNER	TP
CHECKED BY	HOSMAC/ TD/399
DATE	

SHEET TITLE	CHANGE ROOM MIRROR (600X1200)
DRAWING NO.	CF-09
SCALE	SCALE 1:20

HOSPITAL PLANNERS	HOSMAC PERFECTING HEALTHCARE
PROJECT NO.	TD/399
SCALE	1:20
DESIGNER	TP
CHECKED BY	HOSMAC/ TD/399
DATE	

GENERAL NOTES

- 1) ALL DIMENSIONS ARE TO FACE UNLESS OTHERWISE SPECIFIED.
- 2) MATERIALS TO BE USED SHALL BE AS SPECIFIED IN THE BILL OF MATERIALS.
- 3) ALL SURFACES TO BE FINISHED WITH LAM-A UNLESS OTHERWISE SPECIFIED.
- 4) ALL SURFACES TO BE FINISHED WITH LAM-A UNLESS OTHERWISE SPECIFIED.
- 5) ALL SURFACES TO BE FINISHED WITH LAM-A UNLESS OTHERWISE SPECIFIED.
- 6) ALL SURFACES TO BE FINISHED WITH LAM-A UNLESS OTHERWISE SPECIFIED.
- 7) ALL SURFACES TO BE FINISHED WITH LAM-A UNLESS OTHERWISE SPECIFIED.
- 8) ALL SURFACES TO BE FINISHED WITH LAM-A UNLESS OTHERWISE SPECIFIED.
- 9) ALL SURFACES TO BE FINISHED WITH LAM-A UNLESS OTHERWISE SPECIFIED.
- 10) ALL SURFACES TO BE FINISHED WITH LAM-A UNLESS OTHERWISE SPECIFIED.