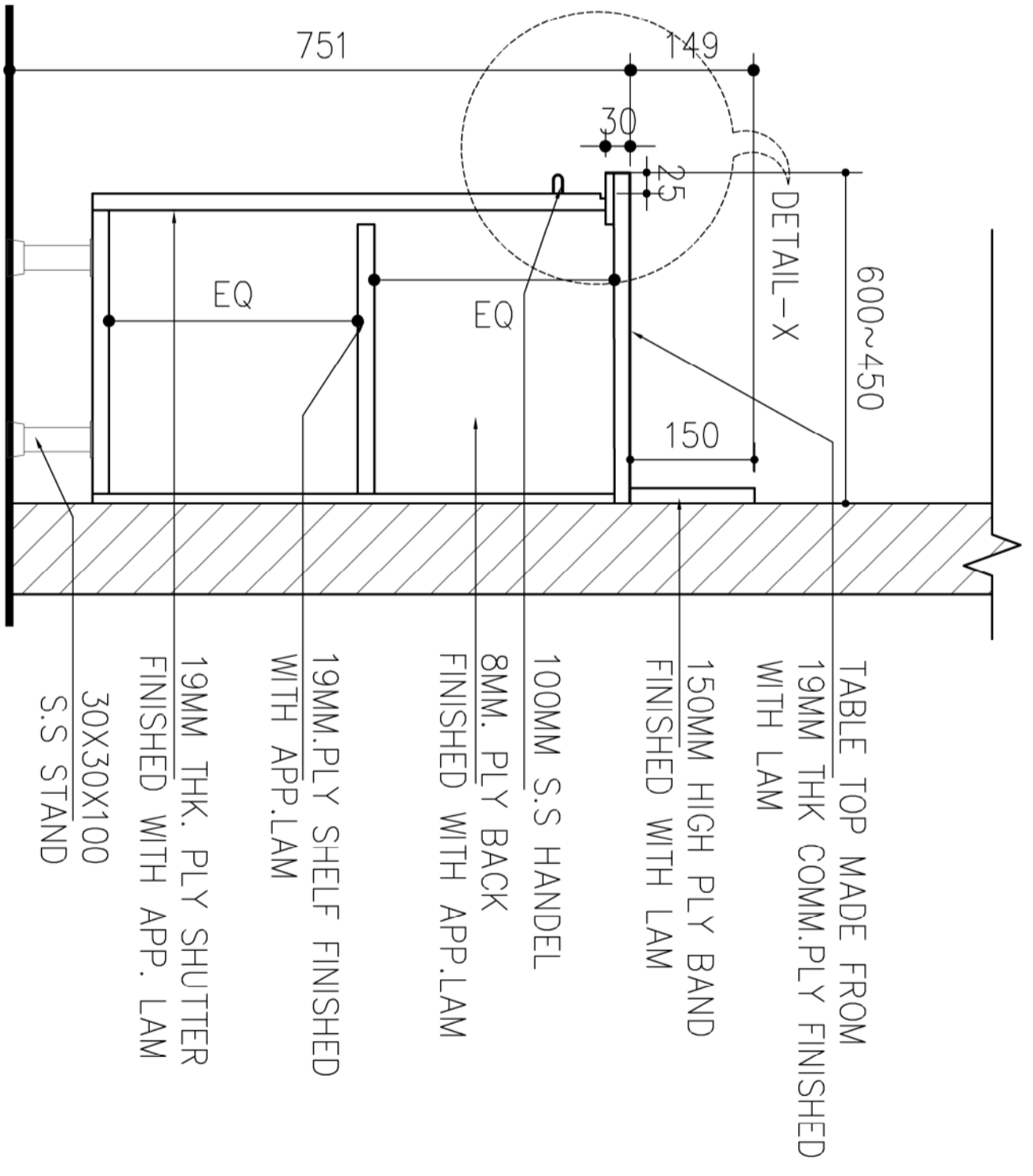
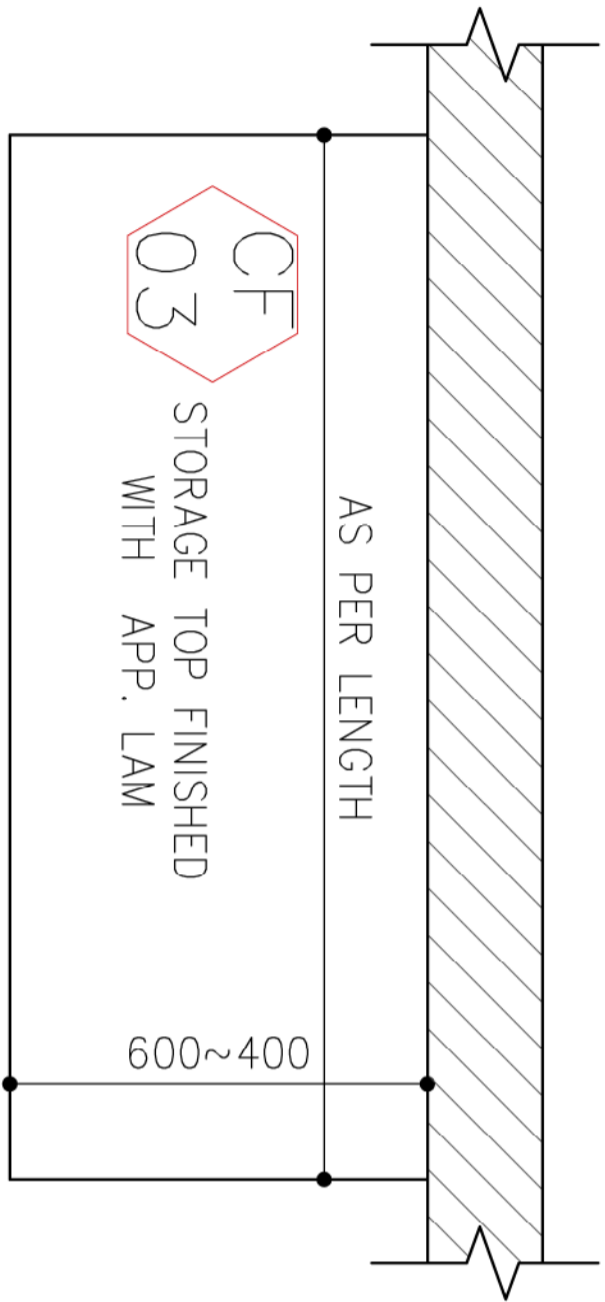


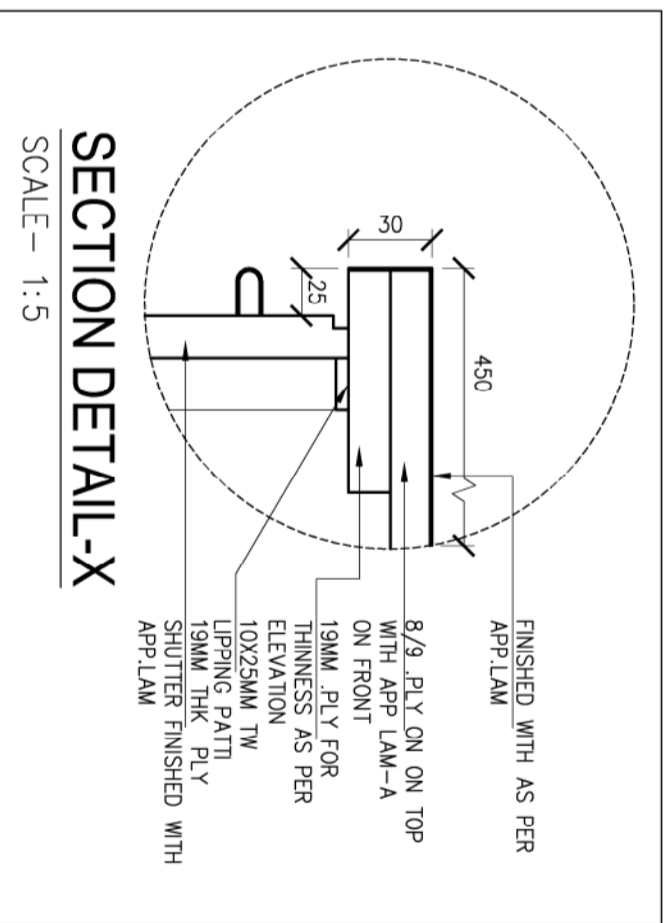
FRONT ELEVATION



SIDE SECTION



BACK PRINTER STORAGE



SECTION DETAIL-X
SCALE - 1:5

REV. NO.	DESCRIPTION	DATE	BY	CHKD.

CLIENT	PROJECT	SCALE	DATE
MGM HOSPITAL & RESEARCH CENTRE	Design & Project Advisory Services at MGM Hospital, Sanyalida	1:10	

CLIENT TITLE	PROJECT TITLE	SCALE	DATE
BACK PRINTER COUNTER	CF-03	1:10	

DESIGNED BY	CHECKED BY	DATE
TP		

PROJECT NO.	SCALE	DATE
HOSMAC/ TD/999	1:10	

DESIGNED BY	CHECKED BY	DATE
PW		

PROJECT NO.	SCALE	DATE
HOSMAC/ TD/999	1:10	

DESIGNED BY	CHECKED BY	DATE
PW		