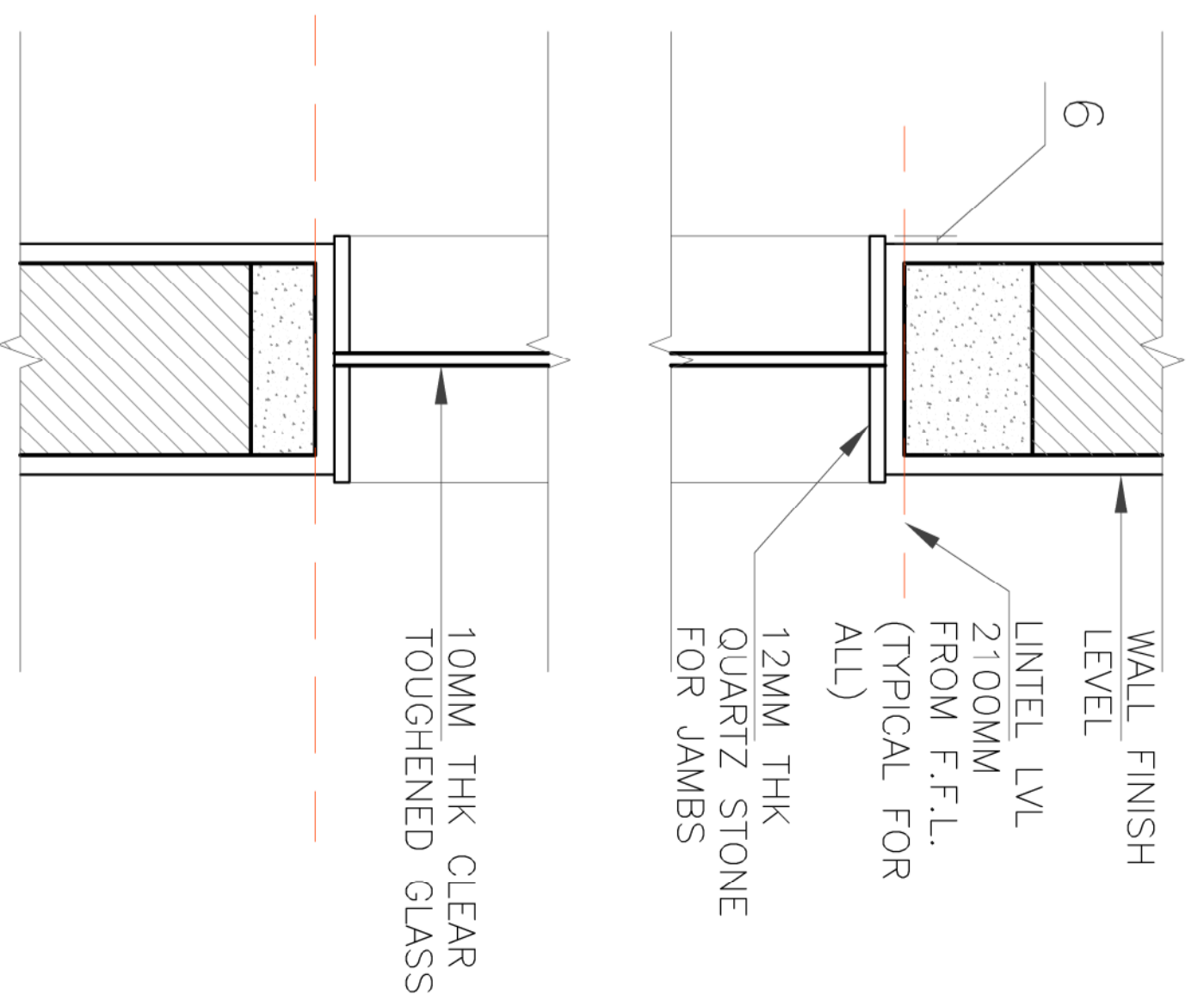


F.F.L.

- GENERAL NOTES:**
- THIS DRAWING TO BE READ WITH FFE LAYOUTS (ID-103 AND ID-104)



DETAIL 'A'
SCALE 1:10

IW-3A

IW-7A

REVISIONS		NO.	DATE	DESCRIPTION

CLIENT	MGM HOSPITAL & RESEARCH CENTRE
PROJECT	Design & Project Advisory Services at MGM Hospital, Sanyada.
SHEET TITLE	FIXED GLASS WINDOW
DRAWING NO.	CF-38
SCALE	SCALE 1:10
DESIGNED BY	TP
CHECKED BY	HOSMAC/ TDJ399
PROJECT NO.	1:20
DRAWING STATUS	TENDER DRAWING
DATE	
SCALE	
PROJECT NO.	
DRAWING STATUS	
DATE	

HOSPITAL PLANNERS	HOSMAC
PERFECTING HEALTHCARE	